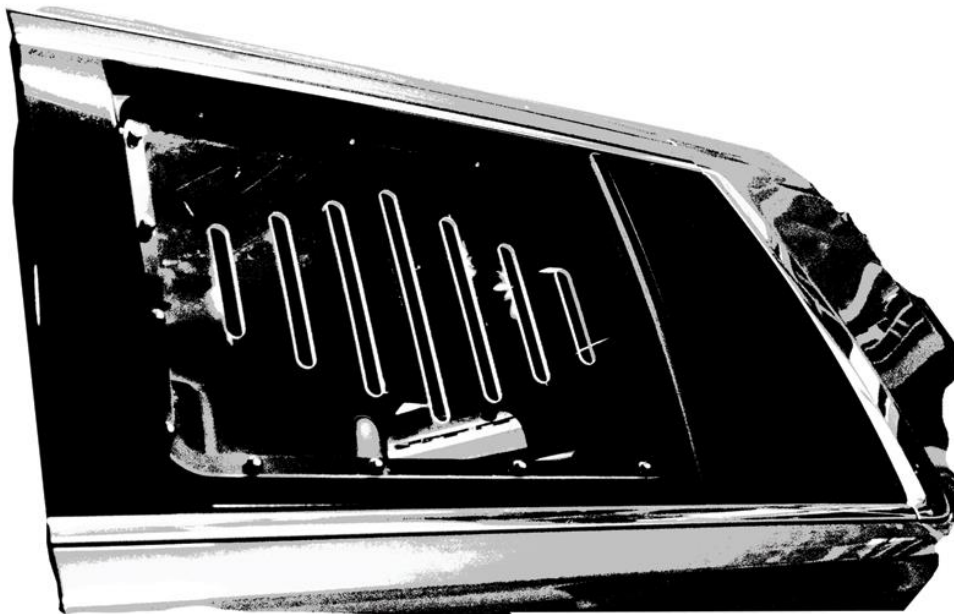

Installation Manual



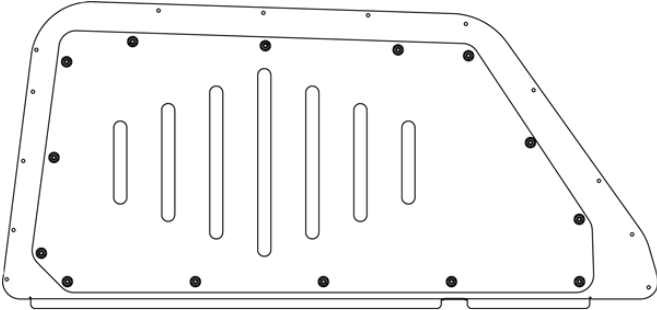
Polycarbonate Window Guard

7019-210-036598

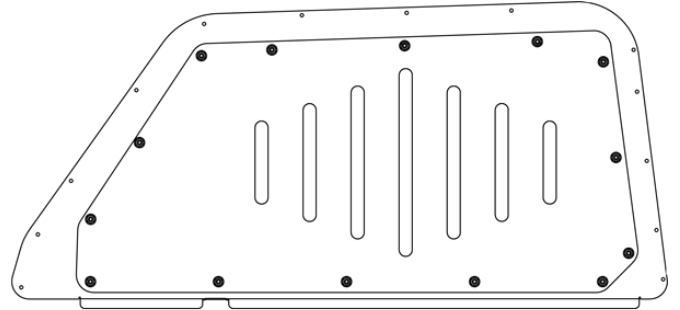
ibisSV.com **724-431-2080** **F:724-431-4361**



Components and Hardware List (Drivers Side Panel Install)



**Polycarbonate Window Guard
(Driver Side)**



**Polycarbonate Window Guard
(Passenger Side)**

(1) Polycarbonate Window Guard (Driver Side)

(1) Polycarbonate Window Guard (Passenger Side)

(13) #8-18 x 3/4" Self Tapping Screws

Required Tools

Electric Screw Driver with Phillips Head Bit

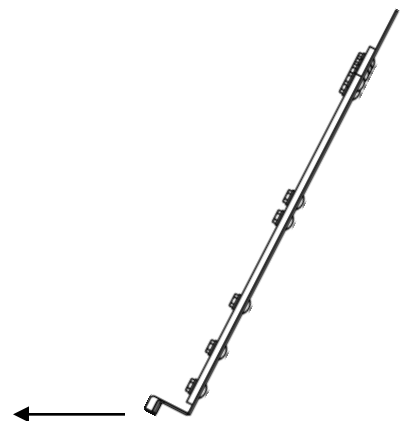
Installation Instructions

1. Open the door and fully slide down the glass in the window.



Glass MUST be in the fully downward position.

2. Slide the Polycarbonate Window Guard assembly onto the interior of the door:
 - a. Slide the assembly lip onto and inside of the rubber window track.



- b. Align the edges of the Polycarbonate Window Guard assembly with the edges of the door ensuring that all edges are clear from the vehicle door window frame.

2.) With a second person holding the assembly, attach the Polycarbonate Window Guard assembly to the vehicle door window frame:

- a. Press the Polycarbonate Window Guard assembly tightly against the door window frame.
- b. Using a standard Phillips head drill bit and electric drill, insert each of the 13 provided self-tapping screws into the predrilled holes along the edge of the Window Guard frame and into the door window frame.
- c. Ensure that all edges of the Window Guard frame are tightly held flush against the door window frame and correct any sides that do not.



3.) Close the door making sure that the now installed Polycarbonate Window Guard assembly clears the door properly and doesn't cause problems closing and locking the door.

INSTALLATION COMPLETE